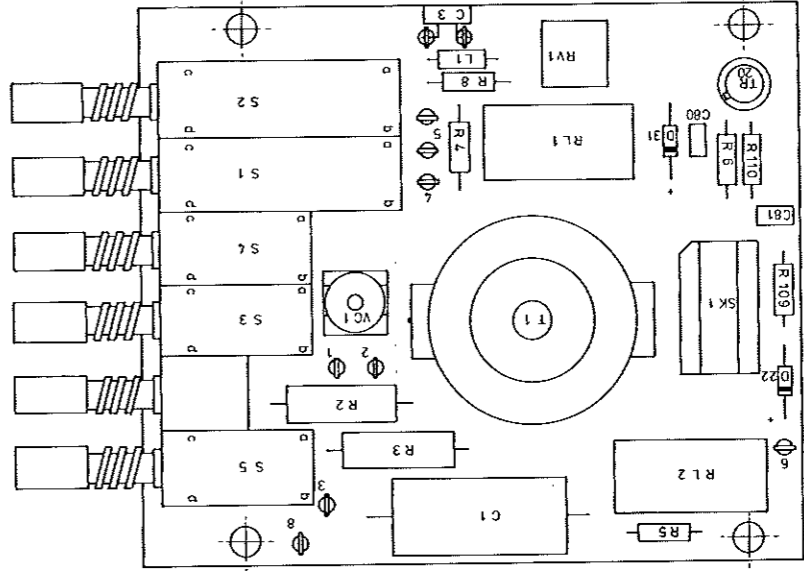


REF.	VALUE	TOL. %	RATING	TYPE	PART NO.
TR2	2N3251				0001-0017.342/-
TR3	2N2369A				0000-7542.066/-
TR4	2N2369A				0000-7542.066/-
TR5	BCY71				0001-0016.534/-
TR6	BCY71				0001-0016.534/-
TR8	2N2369A (LOW NOISE)				0000-0075-0000.007/-
TR9	2N3251				0001-0017.342/-
TR10	2N2369A				0000-7542.066/-
TR11	2N2369A				0000-7542.066/-
TR12	2N2369A				0000-7542.066/-
TR13	2N2369A				0000-7542.066/-
TR14	2N2369A				0000-7542.066/-
TR15	2N2369A				0000-7542.066/-
TR16	2N2369A				0000-7542.066/-
TR21	BC109				0000-7602.029/-
TR22	BC109				0000-7602.029/-
TR23	BCY71				0001-0016.534/-
TR24	BCY71				0001-0016.534/-
TR25	BCY71				0001-0016.534/-
D3	1N914 or 1N4448				0001-0018.493/-
D4	1N914 or 1N4448				0001-0018.493/-
D5	1N914 or 1N4448				0001-0018.493/-
D6	1N914 or 1N4448				0001-0018.493/-
D18	1N914 or 1N4448				0001-0018.493/-
D19	1N914 or 1N4448				0001-0018.493/-
D20	1N914 or 1N4448				0001-0018.493/-
D21	1N914 or 1N4448				0001-0018.493/-
D23	1N914 or 1N4448				0001-0018.493/-
D24	1N914 or 1N4448				0001-0018.493/-
D25	1N914 or 1N4448				0001-0018.493/-
D26	1N914 or 1N4448				0001-0018.493/-
D27	1N914 or 1N4448				0001-0018.493/-
D28	1N914 or 1N4448				0001-0018.493/-
D29	1N914 or 1N4448				0001-0018.493/-
D30	1N914 or 1N4448				0001-0018.493/-
D38	1N914 or 1N4448				0001-0018.493/-
L1	10µH				0000-7556.175/-
RV1	100K				0000-7601.648/-
VC1	2 - 18p				0000-7598.463/-
VC2	2 - 18p				0000-7598.463/-
IC1	4001				0001-0015.962/-
SK1	SOCKET D.1.L. 14-MAY				0000-7518.388/-
SK2	SOCKET D.1.L. 16-MAY				0000-8518.391/-
RL3	RSD - 12V				0001-0069.620/-
RL4	RSD - 12V				0001-0069.620/-
RL5	RSD - 12V				0001-0069.620/-
RL6	RSD - 12V				0001-0069.620/-
RL7	RSD - 12V				0001-0069.620/-
AZ2	P.C.B.				4502-0122.004/2
	PRE-AMPLIFIER				

Fig. 8 Component Layout, Input Matching unit, (82)



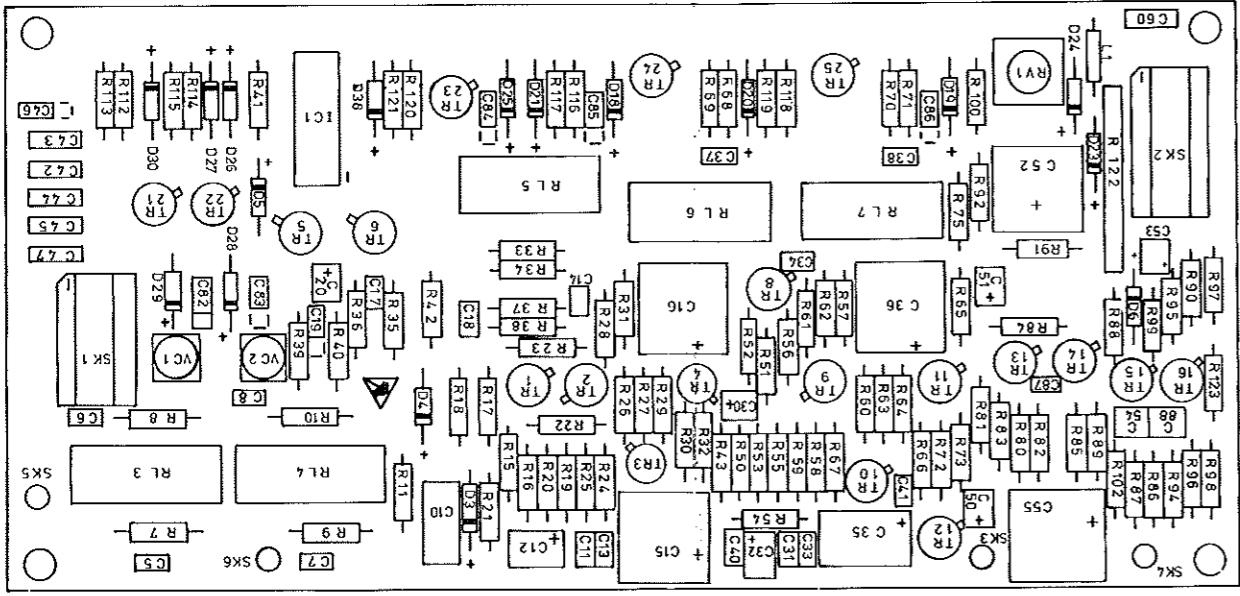
CIRCUIT REFERENCES TO BE PRECEDED BY ASSEMBLY NUMBER

eg S1 BECOMES S8201

C81 BECOMES C8281

Pre-amplifier/Attenuator, (22)

Fig. 9 Component Layout,



CIRCUIT REFERENCES TO BE PRECEDED BY BOARD ASSEMBLY NUMBER

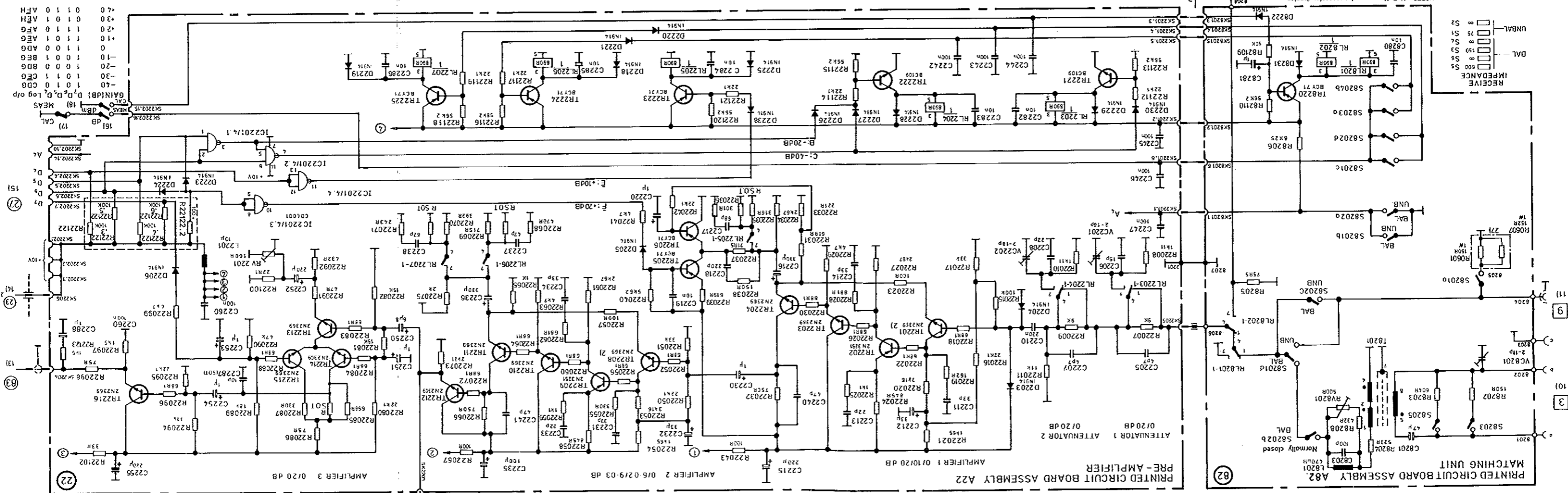
eg. C60 BECOMES C2260

TR4 BECOMES TR2204

Pre-amplifier/Attenuator (22)

Input Matching unit, (82) and

Fig. 7 Circuit Diagram,



PRINTED CIRCUIT BOARD ASSEMBLY A82

PRE-AMPLIFIER BOARD ASSEMBLY A22

MATCHING UNIT

Normally closed

RECEIVE IMPEDANCE

BAL - UNBAL

100Ω 50Ω 75Ω 50Ω 50Ω 50Ω

NOTES: 1) Suffix on edge connector denotes component side b denotes non-component side.

10) BAL. INPUT

11) UNBAL. INPUT

12) DETECTOR/MIXER (-20, -90dB)

13) POWER SUPPLY MIXER

14) CONTROL BUS

15) SWITCH dB/dB

16) SWITCH CAL

17) SWITCH CAL

18) SWITCH CAL

27) TO BE FITTED AT INPUT UNIT STAGE

FROM (30) (Fig.23)

CALIBRATION SIGNAL

C-40dB

B-20dB

E:+10dB

F:+20dB

G:0dB

H:-10dB

I:-20dB

J:-30dB

K:-40dB

L:0dB

M:10dB

N:20dB

O:30dB

P:40dB

Q:50dB

R:60dB

S:70dB

T:80dB

U:90dB

V:100dB

W:110dB

X:120dB

Y:130dB

Z:140dB

REF.	VALUE	TOL. ± %	RATING	TYPE	PART NO.
C6	470p	2	63	PF	0000-7598.421/-
C7	470p	2	63	PF	0000-7598.421/-
C8	1u	20	35	Tant.	0001-0040.704/-
C9	1u	20	35	Tant.	0001-0040.704/-
C10	100u	20	10	Tant.	0001-0041.156/-
C18	1u	20	6.3	Tant.	0001-0040.704/-
C19	22p	2	63	Cer.	0001-0004.290/-
C20	10u	20	6.3	Tant.	0001-0040.885/-
C21	22n	20	40	Cer.	0001-0006.418/-
C22	22n	20	40	Cer.	0001-0006.418/-
C23	22n	20	40	Cer.	0001-0006.418/-
C24	33p	2	63	Cer.	0001-0004.342/-
C27	39p	2	63	Cer.	0001-0004.371/-
C28	39p	2	63	Cer.	0001-0004.371/-
C29	1u	20	35	Tant.	0001-0040.704/-
C30	3n79	1	63	PF	0000-7598.434/-
C31	6n49	1	63	PF	0000-7598.502/-
C32	10n9	1	63	PF	0000-7598.515/-
C33	3n24	1	63	PF	0000-7598.492/-
C34	2n8	1	63	PF	0000-7598.489/-
C35	4n22	1	63	PF	0000-7598.573/-
C36	6n57	1	63	PF	0000-7598.586/-
C37	8n66	1	63	PF	0000-7557.682/-
C38	3n61	1	63	PF	0000-7598.609/-
C39	9n31	1	63	PF	0000-7586.080/-
C40	9n65	1	63	PF	0000-7598.612/-
C41	2n1	1	63	PF	0000-7598.625/-
C42	4n99	1	63	PF	0000-7598.638/-
C43	1n87	1	63	PF	0000-7598.641/-
C44	8n16	1	63	PF	0000-7598.654/-
C45	18n9	1	63	PF	0000-7598.667/-
C46	2n43	1	63	PF	0000-7598.599/-
C47	13n2	1	63	PF	0000-7598.670/-
C50	22p	2	63	Cer.	0001-0004.290/-
C51	22p	2	63	Cer.	0001-0004.290/-
TR1	2N2369A				0000-7542.066/-
TR2	2N2251				0001-0017.342/-
TR3	BC 109				0000-7602.029/-
TR4	2N2369A				0000-7542.066/-
TR5	2N2369A				0000-7542.066/-
TR6	2N2369A				0000-7542.066/-
TR7	2N2369A				0001-0019.493/-
D1	IN914 or IN4448				0001-0019.493/-
RV1	200R	20	OM	Var.	0000-7579.013/-
TC1	5534				0000-7513.257/-
TR1	FRANSFORMER				4502-1301.002/4
TR2	FRANSFORMER				4502-1302.001/4
TR3	FRANSFORMER				4502-1303.000/4
L1	INDUCTOR				4502-1438.001/4
L2	INDUCTOR				4502-1439.004/4
L3	INDUCTOR				4502-1440.002/4
L4	INDUCTOR				4502-1441.001/4
L5	INDUCTOR				4502-1442.000/4
L6	INDUCTOR				4502-1443.009/4
L7	INDUCTOR				4502-1444.008/4
L8	INDUCTOR				4502-1445.007/4
L9	INDUCTOR				4502-1446.006/4
L10	INDUCTOR				4502-1447.005/4
A79					P.C.B. MIXER 2 4502-0248.001/2

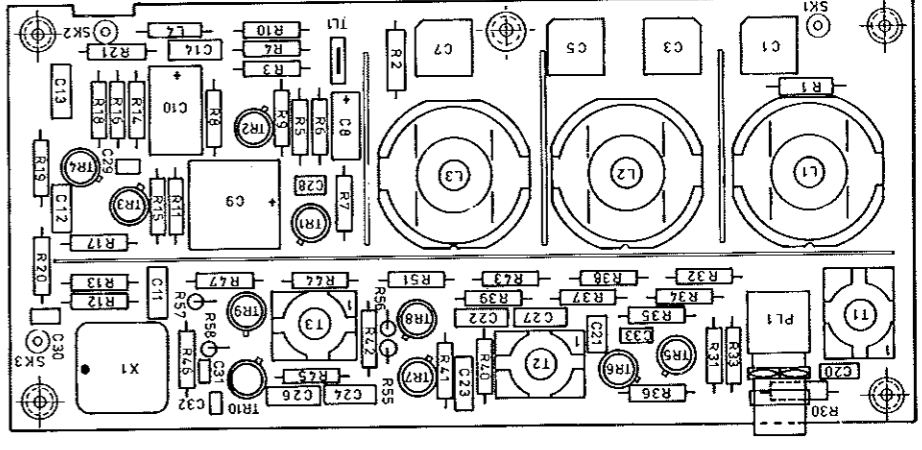


Fig. 11 Component Layout, Mixer 1, (23)

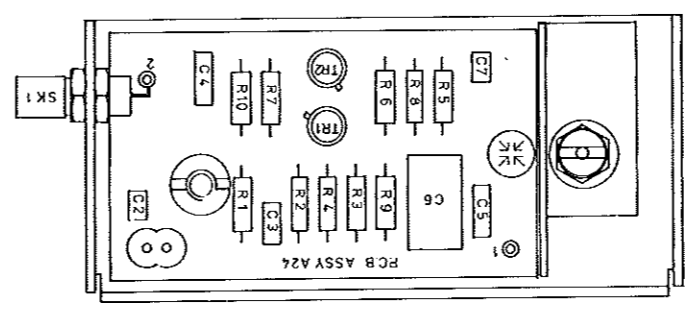


Fig. 12 Component Layout, 4MHz B/P Filter, (24)

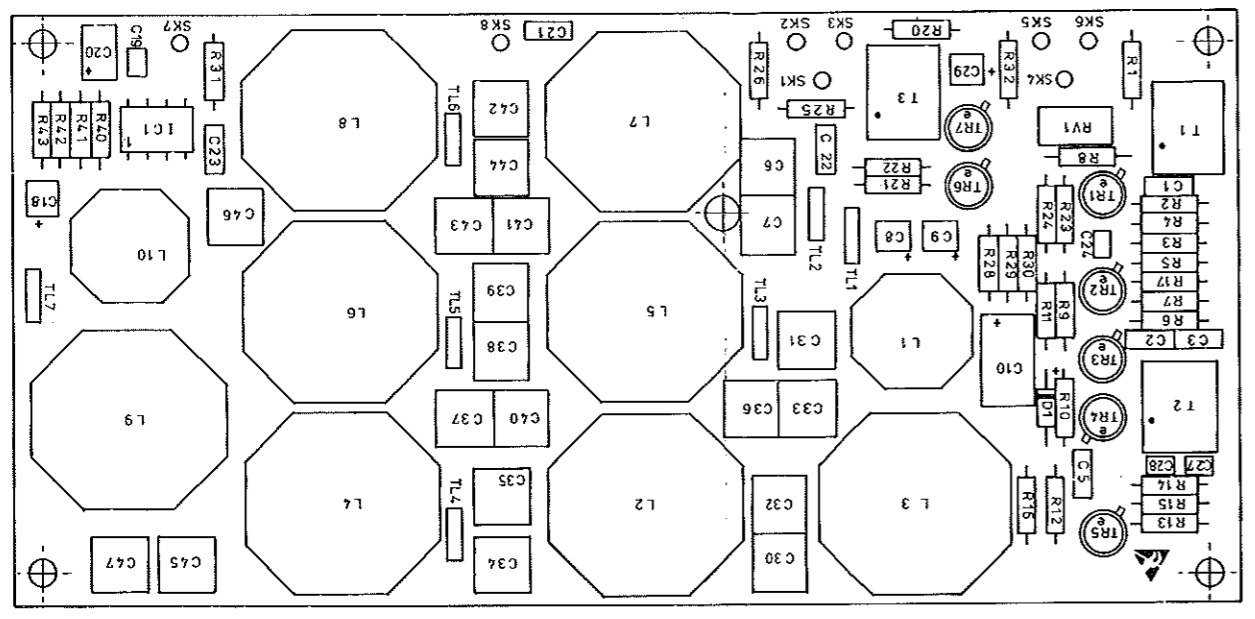
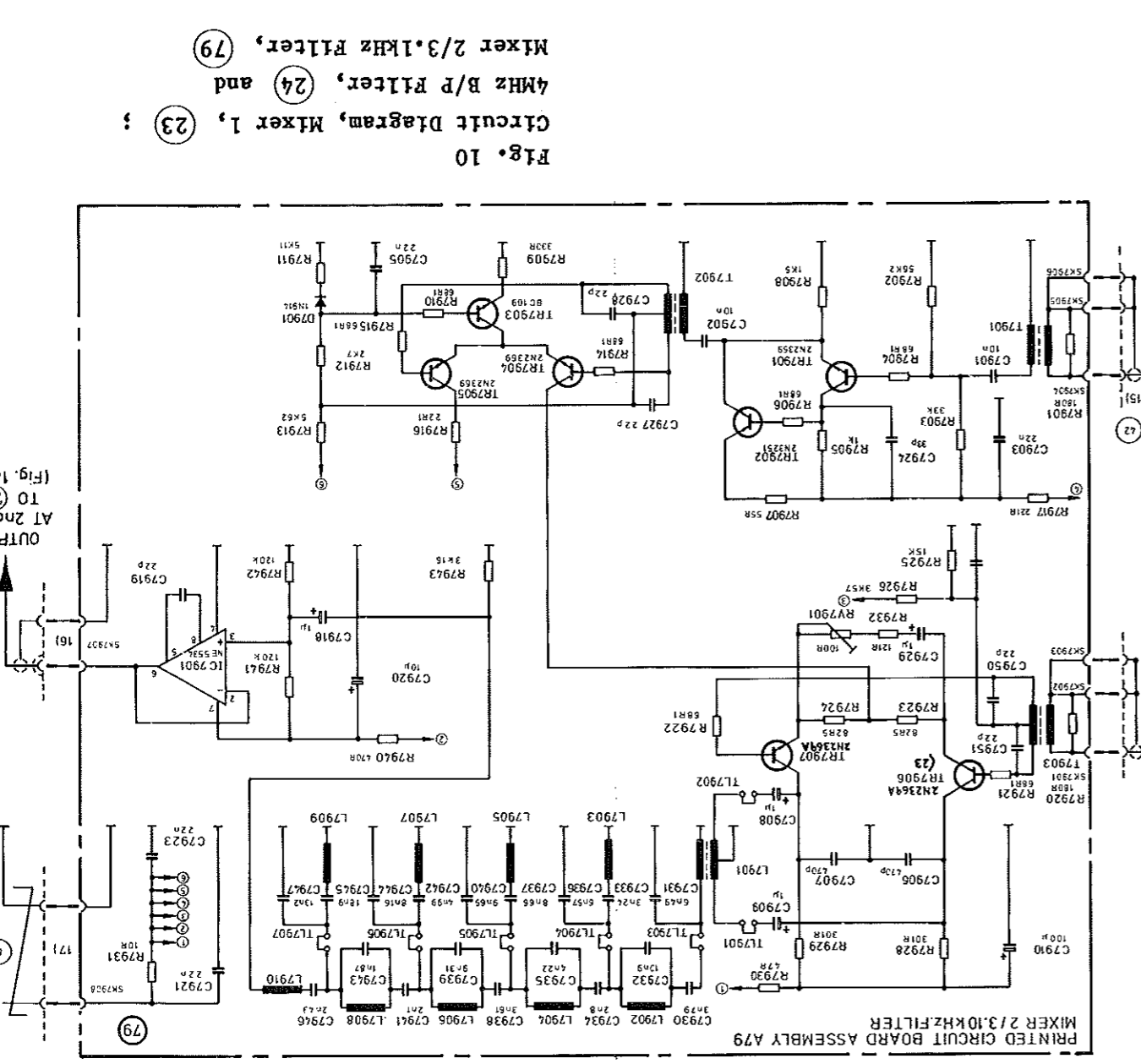
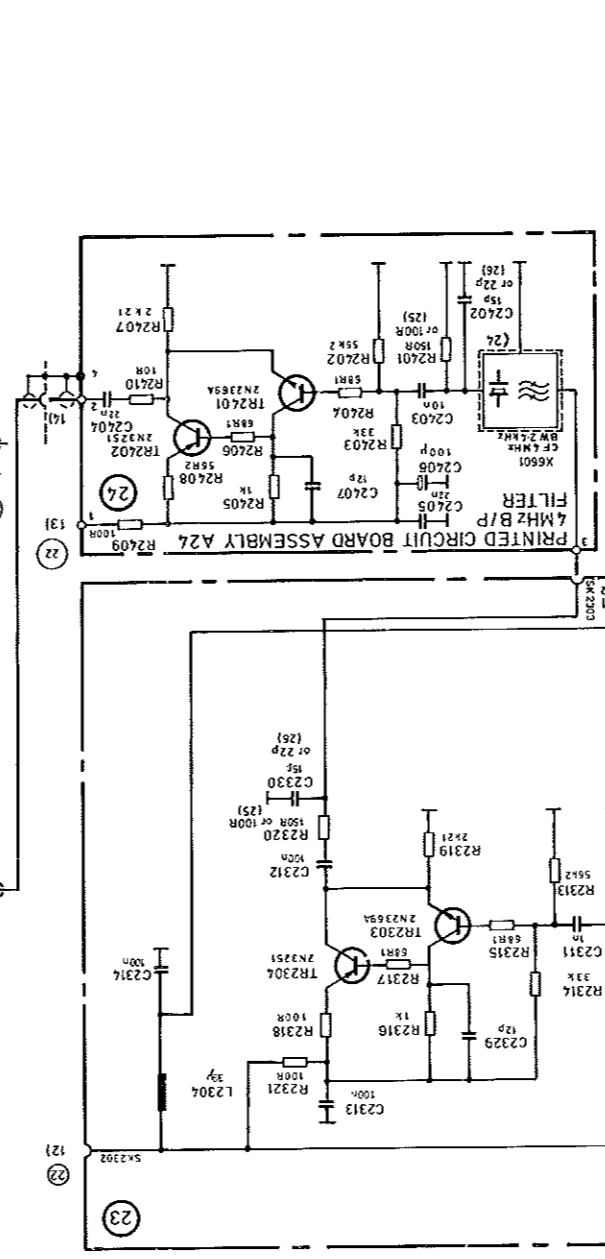
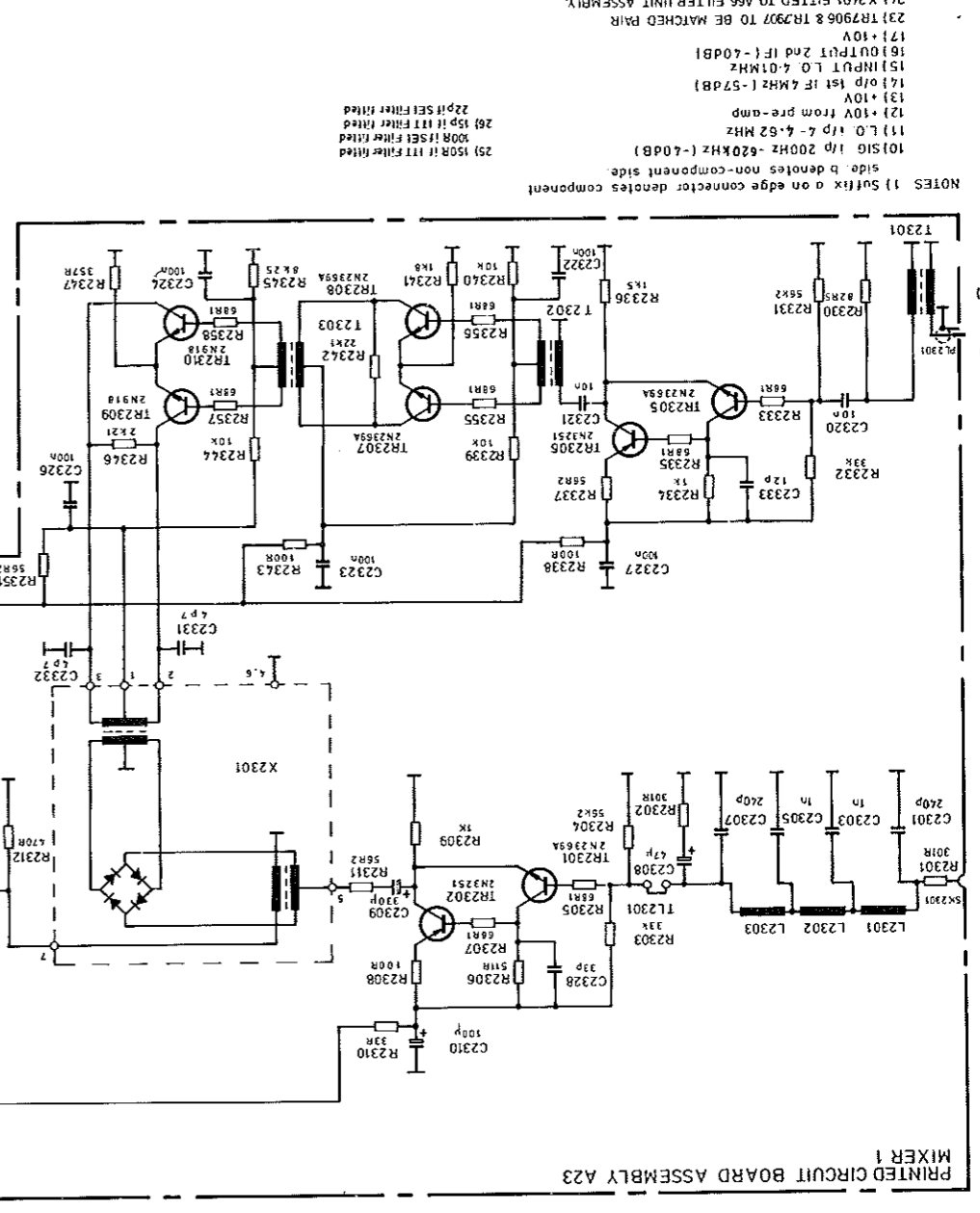


Fig. 13 Component Layout, Mixer 2/3, 1kHz Filter, (79)



NOTES 1) Suffix a on edge connector denotes component side; b denotes non-component side.

- 101S1G 1µF 200Hz - 620KHz (-40dB)
- 111 L.O. 1µF 4 - 4.62 MHz
- 121 10V from pre-amp
- 131 10V
- 141 0.1µF 1st IF 4MHz (-57dB)
- 151 INPUT L.O. 4.01MHz
- 161 OUTPUT 2nd IF (-40dB)
- 171 10V
- 221 TR7906 & TR7907 to be matched pair
- 241 X2401 fitted to A66 filter unit assembly.

Component Layout, Mixer 2/3, 1kHz Filter, (79)

CIRCUIT REFERENCES TO BE PRECEDED BY BOARD ASSEMBLY NUMBER eg C6 BECOMES C2406 AND SK1 BECOMES SK6601

CIRCUIT REFERENCES TO BE PRECEDED BY BOARD ASSY NUMBER. eg C3 BECOMES C7903 R25 BECOMES R7925



ASSEMBLY P.C.B. A27 I.F. AMPLIFIER

REF.	VALUE	TOL. ± %	RATING	TYPE	PART NO.
R1	150K	1	0W35	MF	0001-0003,110/-
R2	82K5	1	0W35	MF	0001-0002,933/-
R3	39K2	1	0W35	MF	0001-0002,658/-
R4	68R1	1	0W35	MF	0001-0000,427/-
R5	4 × 10K	2	0W25	RESISTOR PACK S.I.L.	0000-7604,535/-
R6	3K01	1	0W35	MF	0001-0001,620/-
R7	4 × 10K	2	0W25	RESISTOR PACK S.I.L.	0000-7604,535/-
R8	180K	2	0W25	MF	0000-7601,392/-
R9	180K	2	0W25	MF	0000-7601,392/-
R10	1M	1	0W35	MF	0000-0027,507/-
R11	2K21	1	0W35	MF	0001-0001,497/-
R12	180K	2	0W25	MF	0000-7601,392/-
R13	10K	1	0W35	MF	0001-0002,137/-
R14	221R	1	0W35	MF	0001-0000,715/-
R15	180K	2	0W25	MF	0000-7601,392/-
R16	180K	2	0W25	MF	0000-7601,392/-
R17	180K	2	0W25	MF	0000-7601,392/-
R18	1M	1	0W35	MF	0000-0027,507/-
R19	2K21	1	0W35	MF	0001-0001,407/-
R20	180K	2	0W25	MF	0000-7601,392/-
R21	10K	1	0W35	MF	0001-0002,137/-
R22	180K	2	0W25	MF	0000-7601,392/-
R23	221R	1	0W35	MF	0001-0000,715/-
R24	47R	2	0W25	MF	0000-7601,321/-
R25	3K92	1	0W35	MF	0001-0001,730/-
R26	47K	2	0W25	MF	0000-7558,393/-
R27	150K	1	0W35	MF	0001-0003,110/-
R28	1M	1	0W35	MF	0000-0027,507/-
R29	3K3	2	0W25	MF	4980-0000,012/-
R30	5K11	1	0W35	MF	0001-0001,853/-
R31	5K11	1	0W35	MF	0001-0001,853/-
R32	21K5	1	0W35	MF	0001-0002,438/-
R33	21K5	1	0W35	MF	0001-0002,438/-
R34	21K5	1	0W35	MF	0001-0002,438/-
R35	470R	2	0W25	MF	0000-7560,608/-
R36	6K34	1	0W35	MF	0001-0001,947/-
R37	169K	1	0W35	MF	0001-0003,136/-
R38	1K78	1	0W35	MF	0001-0003,796/-
R39	169K	1	0W35	MF	0001-0003,136/-
R40	26R7	2	0W25	MF	0001-0000,207/-
C1	2µ2	20	35	Tant.	0001-0040,762/-
C2	4µ7	20	10	Tant.	0001-0040,801/-
C3	1n	10	63	Cer.	0001-0004,698/-
C4	47µ	20	16	Tant.	0001-0041,062/-
C5	220n	10	100	PE	0001-0010,404/-
C6	10n	20	100	Cer.	0001-0004,818/-
C7	100n	20	100	PE	0001-0010,365/-
C8	22p	2	63	Cer.	0001-0004,290/-
C9	100n	20	100	PE	0001-0010,365/-
C10	10n	20	100	Cer.	0001-0004,818/-
C11	1n	10	63	Cer.	0001-0004,698/-
C12	100n	10	100	PE	0001-0010,365/-
C13	47µ	20	6.3	PE	0001-0041,062/-
C14	100n	10	100	PE	0001-0010,365/-
C15	100n	10	100	PE	0001-0010,365/-
C16	220n	10	100	PE	0001-0010,404/-
C17	10n	20	100	Cer.	0001-0004,818/-
C18	22p	2	63	Cer.	0001-0004,290/-
C19	100n	10	100	PE	0001-0010,365/-
C20	10n	20	100	Cer.	0001-0004,818/-
C21	100n	10	100	PE	0001-0010,365/-
C22	1n	10	63	Cer.	0001-0004,698/-
C23	47µ	20	6.3	Tant.	0001-0041,062/-
C24	10n	20	100	Cer.	0001-0004,818/-
C25	470n	10	100	PE	0001-0010,446/-
C26	220n	10	100	PE	0001-0010,404/-
C27	10n	20	100	Cer.	0001-0004,818/-
C28	82p	2	63	Cer.	0001-0004,481/-
C29	680p	2	63	PE	0000-7598,531/-
C30	68n	20	16	Tant.	0001-0041,114/-
C31	220p	2	63	PE	0000-7598,544/-
C32	3n3	2	63	PE	0000-7598,560/-
C33	47p	2	63	Cer.	0001-0004,397/-
C34	2n2	2	63	PE	0000-7573,695/-
C35	2n2	2	63	PE	0000-7573,695/-
C36	2n2	2	63	PE	0000-7573,695/-
C37	220µ	20	10	Tant.	0001-0041,208/-
C38	220n	10	100	PE	0001-0010,404/-
C39	100n	10	100	PE	0001-0010,365/-
C40	1n	10	63	Cer.	0001-0004,698/-
TR1				BC109 C	0000-7602,126/-
D1	1N914 or 1N4448				0001-0018,493/-
D2	1N914 or 1N4448				0001-0018,493/-
D3	1N914 or 1N4448				0001-0018,493/-
D4	1N914 or 1N4448				0001-0018,493/-
D5	1N914 or 1N4448				0001-0018,493/-
D6	1N914 or 1N4448				0001-0018,493/-
D7	1N914 or 1N4448				0001-0018,493/-
D8	1N914 or 1N4448				0001-0018,493/-
D9	1N914 or 1N4448				0001-0018,493/-
D10	1N914 or 1N4448				0001-0018,493/-
D11	1N914 or 1N4448				0001-0018,493/-
D12	1N914 or 1N4448				0001-0018,493/-
IC1					0001-0067,554/-
IC2					0000-7513,257/-
IC3					0001-0070,897/-
IC4					0001-0070,907/-
IC5					0001-0067,554/-
IC6					0001-0070,897/-
IC7					0000-7513,257/-
IC8					0001-0067,554/-
IC9					0001-0070,761/-
IC10					0000-7513,309/-
IC11					0000-7601,965/-
IC12					0001-0015,962/-
4001					0001-0015,962/-
TRANSFORMER					4502-1310,006/4
TRANSFORMER					4502-1310,006/4
TRANSFORMER					4502-1311,005/4
HOUSING WMI19/8/3					0000-2687,065/6
PLUG BULKHEAD					0000-2686,008/5
WMI19/8/3					0000-2687,078/5
RING					0000-2687,078/5
SCREW					0000-1637,058/5
P.C.B. I.F. AMPLIFIER					4502-0127,009/2